

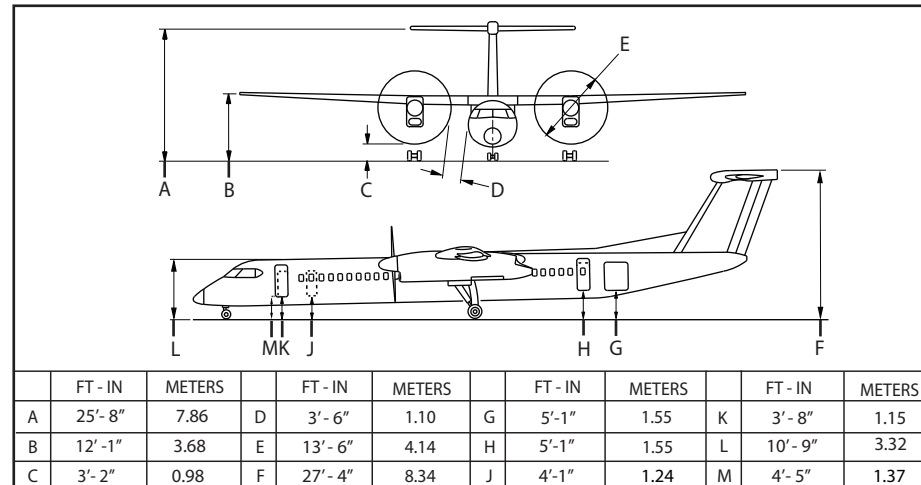
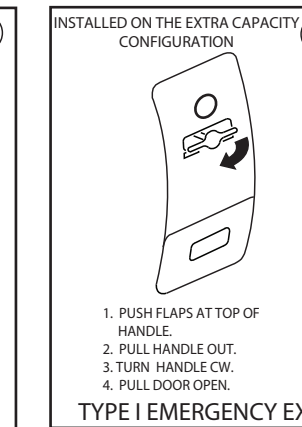
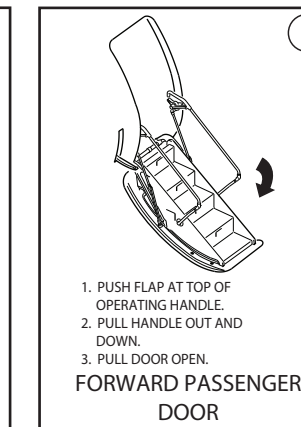
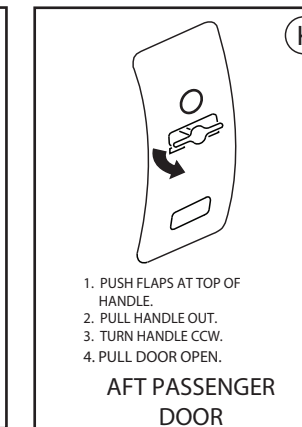
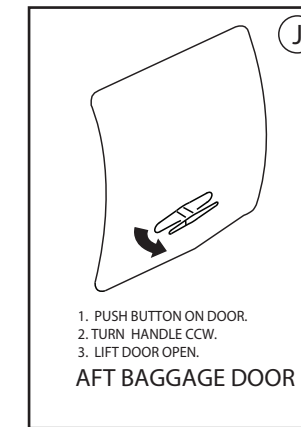
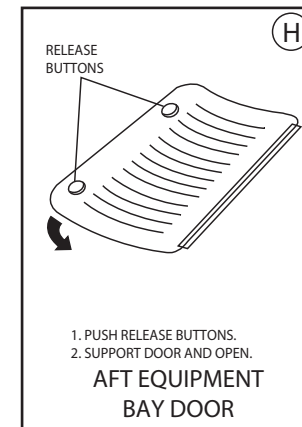
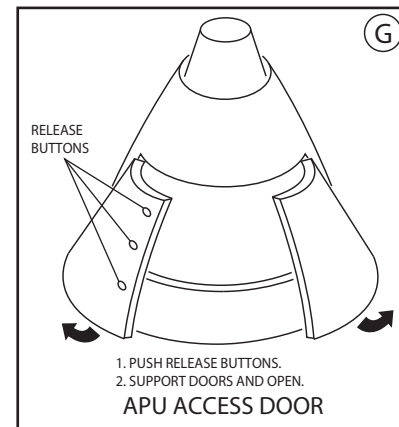
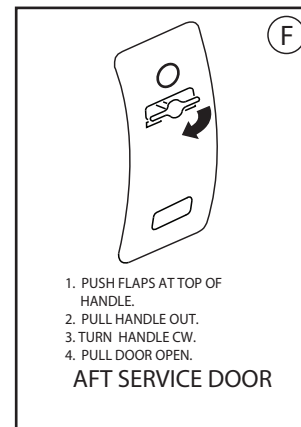
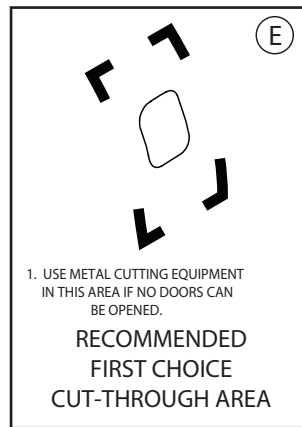
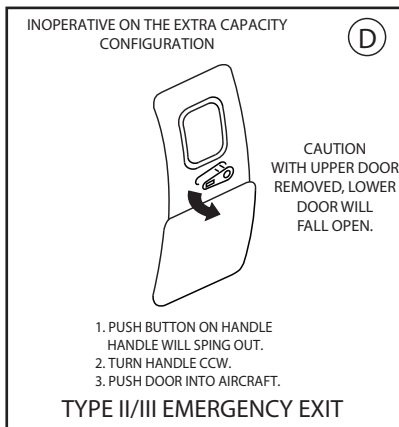
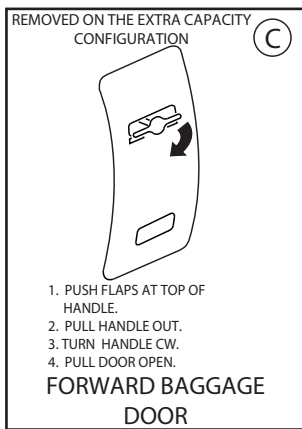
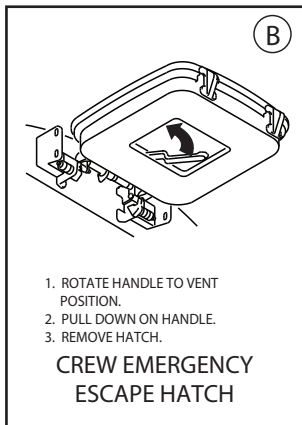
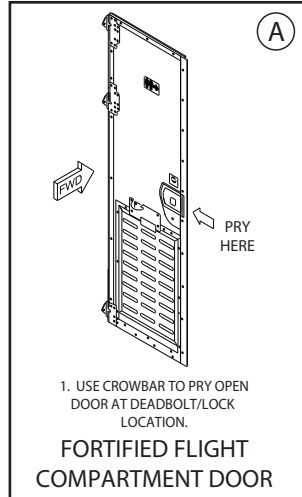
BOMBARDIER

Commercial Aircraft

CRASH FIRE RESCUE CHART

DASH 8 Q400

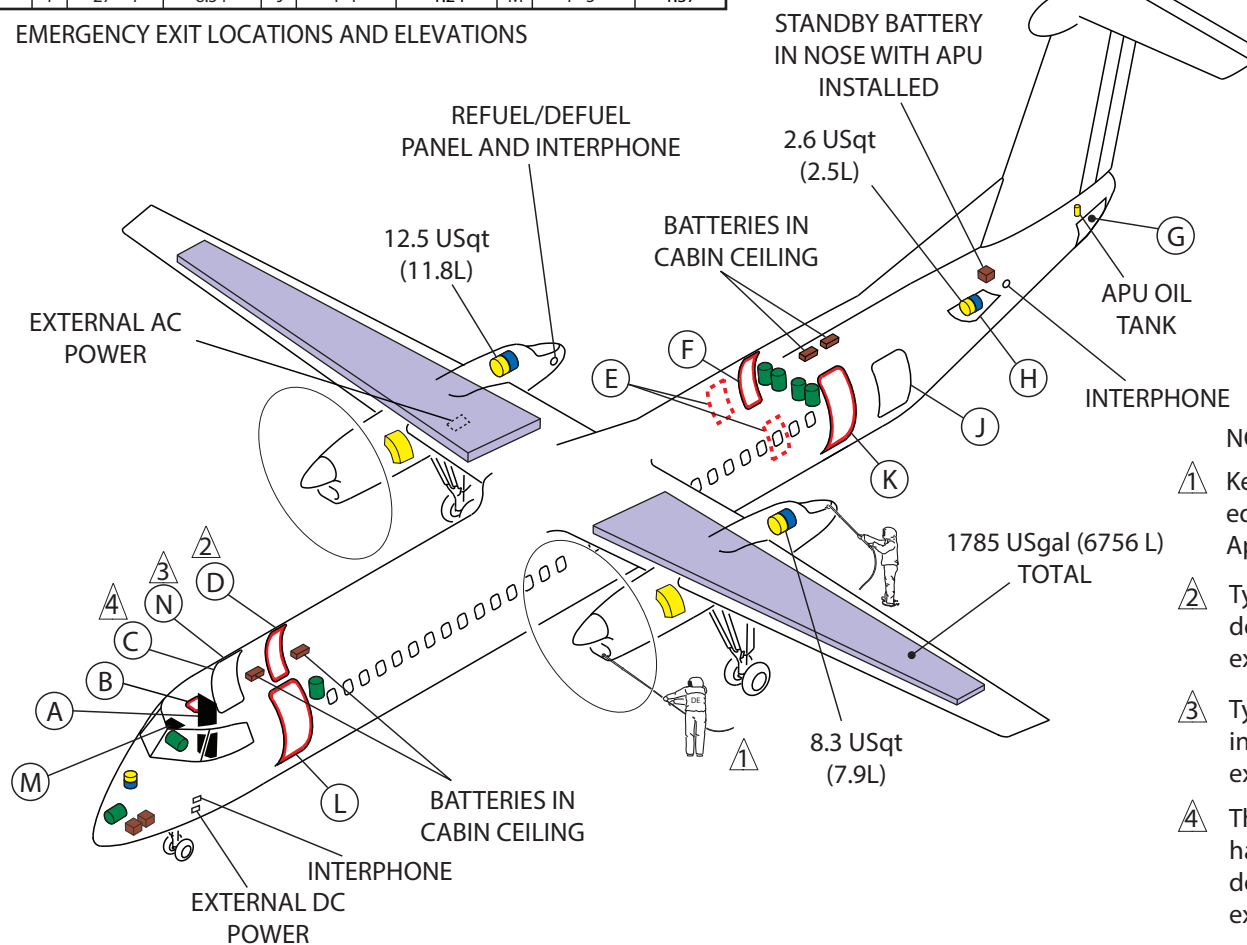
PSM 1-84-14A REVISION D



EMERGENCY EXIT LOCATIONS AND ELEVATIONS

LEGEND

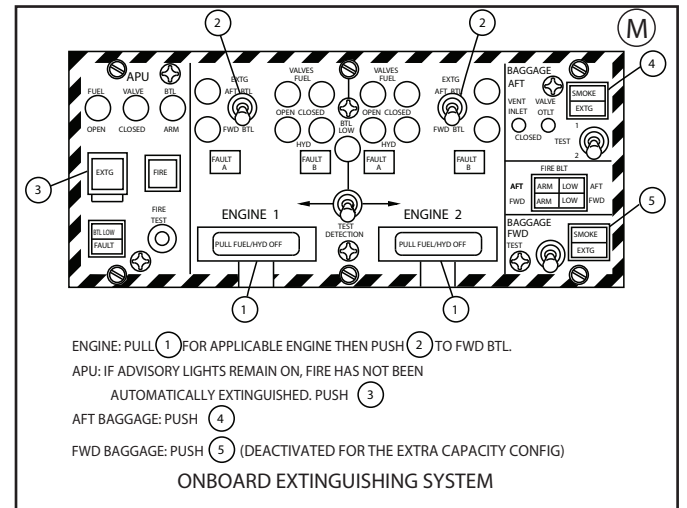
- FUEL
- ENGINE OIL TANK
- HYDRAULIC FLUID RESERVOIRS (SKYDROL-NONFLAMMABLE, IN NOSE, AFT EQUIPMENT COMPARTMENT, AND MAIN WHEEL WELL)
- OXYGEN BOTTLES
- EMERGENCY EXITS
- FORCED ACCESS
- BATTERIES (NiCd)



*NOTE: USE OF HALON 1211 MAY BE RESTRICTED BY LOCAL AUTHORITY.

RECOMMENDED FIRE FIGHTING AGENTS

FIRE AREA	PREFERRED	ALTERNATIVE
ENGINE FIRES	HALON 1211*	DRY CHEMICAL POWDER (CORROSIVE) CO ₂ (CAN DAMAGE ENGINE)
FUEL FIRE	1. DRY CHEMICAL POWDER FOR LEAKING FUEL. 2. WATER FOG OR FOAM ON GROUND SPILL AREA	
WHEEL FIRE	DRY CHEMICAL POWDER OR WATER FOG (INTERMITTENT APPLICATION)	HALON 1211* APPROACH LANDING GEAR FROM FORWARD OR AFT. STAND UPWIND OF FIRE TO AVOID 'SKYDROL' FUMES.
ELECTRICAL FIRE	HALON 1211*	DRY CHEMICAL POWDER/CO ₂
HYDRAULIC SERVICE BAY FIRE	HALON 1211*	DRY CHEMICAL POWDER/CO ₂
GALLEY FIRE	HALON 1211*	DRY CHEMICAL POWDER
FLIGHT COMPARTMENT/ CABIN FIRE	HALON 1211*	DRY CHEMICAL POWDER WATER CAN BE USED IF ELECTRICAL/ FLAMMABLE LIQUIDS NOT INVOLVED (eg. UPHOLSTERY)
CARGO COMPARTMENT FIRE	HALON 1211*	DRY CHEMICAL POWDER/CO ₂



NOTES

1. Keep all personnel and equipment aft of propeller. Approach from the side.
2. Type II/III emergency exit door is de-activated for the extra capacity configuration.
3. Type I emergency exit is installed on aircraft with the extra capacity configuration.
4. The forward baggage door has a separate interior lockable door which can prevent exterior access.

Bombardier Aerospace Commercial Aircraft

"The information, technical data and the designs disclosed herein are the exclusive property of Bombardier Inc. or contain proprietary rights of others and are not to be used or disclosed to others without the written consent of Bombardier Inc. The recipient of this document, by its retention and use, agrees to hold in confidence the technical data and designs contained herein. The foregoing shall not apply to persons having proprietary rights to such information, technical data or designs to the extent that such rights exist."

"Les renseignements, données et dessins techniques divulgués dans les présentes sont la propriété exclusive de Bombardier Inc. et comportent des droits de propriété appartenant à autrui et ne peuvent être divulgués à quiconque ni utilisés par qui que ce soit sans le consentement écrit de Bombardier Inc. Le détenteur des présentes s'engage, dans toutes circonstances, à garder confidentiels les données et dessins techniques qu'elles contiennent. Ce qui précède ne s'applique pas aux personnes qui ont des droits de propriété sur ces renseignements, données techniques et dessins dans la mesure où ces droits existent."

© Bombardier Inc.